



Model(s)_Z6200

Metroflush Piston Operated Exposed Flush Valve for Water Closets

TAG

Architectural/Engineering Specification:

Exposed, quiet piston type, chrome plated flushometer valve with a polished exterior. Complete with Zurn's MetroVantage chloramine resistant filtered by-pass. The valve is ADA compliant with a non-hold open and no leak handle feature. Internal seals are made of chloramine resistant materials.

PRODUCT FEATURES:

- Proprietary Dezincification resistant low lead brass alloy
- Control Stop has internal siphon-guard protection, Sweat solder kit, wall flange with set screw.
- High back pressure Vacuum Breaker with one piece hex coupling nut
- Chloramine resistant Internal seals
- Adjustable tailpiece
- Spud coupling and flange for top spud connection

VALVE HEIGHT OPTIONS:

	Vacuum Tube Length	Rough-in Height "A"
Standard	8-1/2" [216"]	11-1/2" [292]
-1	13" [330]	16" [406]
-2	21" [533]	24" [610]
-3	24" [610]	27" [686]

FLOW OPTIONS:

	Flush Volume	Dual Flush	*WaterSense Labeled
-HET	1.28 gpf	1.28/1.1 gpf	x
-WS1	1.6 gpf	1.6/1.1 gpf	
-Standard	3.5 gpf	3.5/2.4 gpf	

SUFFIX OPTIONS:

-BG	BioCare ADA Handle
-DF	Dual Flush
-L	1" [25mm] Metal Push Button
-VC	Vandal Resistant Stop Cover
-YJ	Split Ring Pipe Support
-YK	Solid Ring Pipe Support



Product Compliance:

ADA
 ASSE 1037/ASME A112.1037/CSA B125.37
 ASSE 1037
 CSA B125.37
 IPC
 WaterSense

*Complies with ADA & ICC A117.1 accessibility requirements when installed according to the requirements outlined in these standards.



*This product should be used with a WaterSense labeled counterpart with a compatible flow volume to ensure that the entire system meets the requirements for water efficiency and performance.

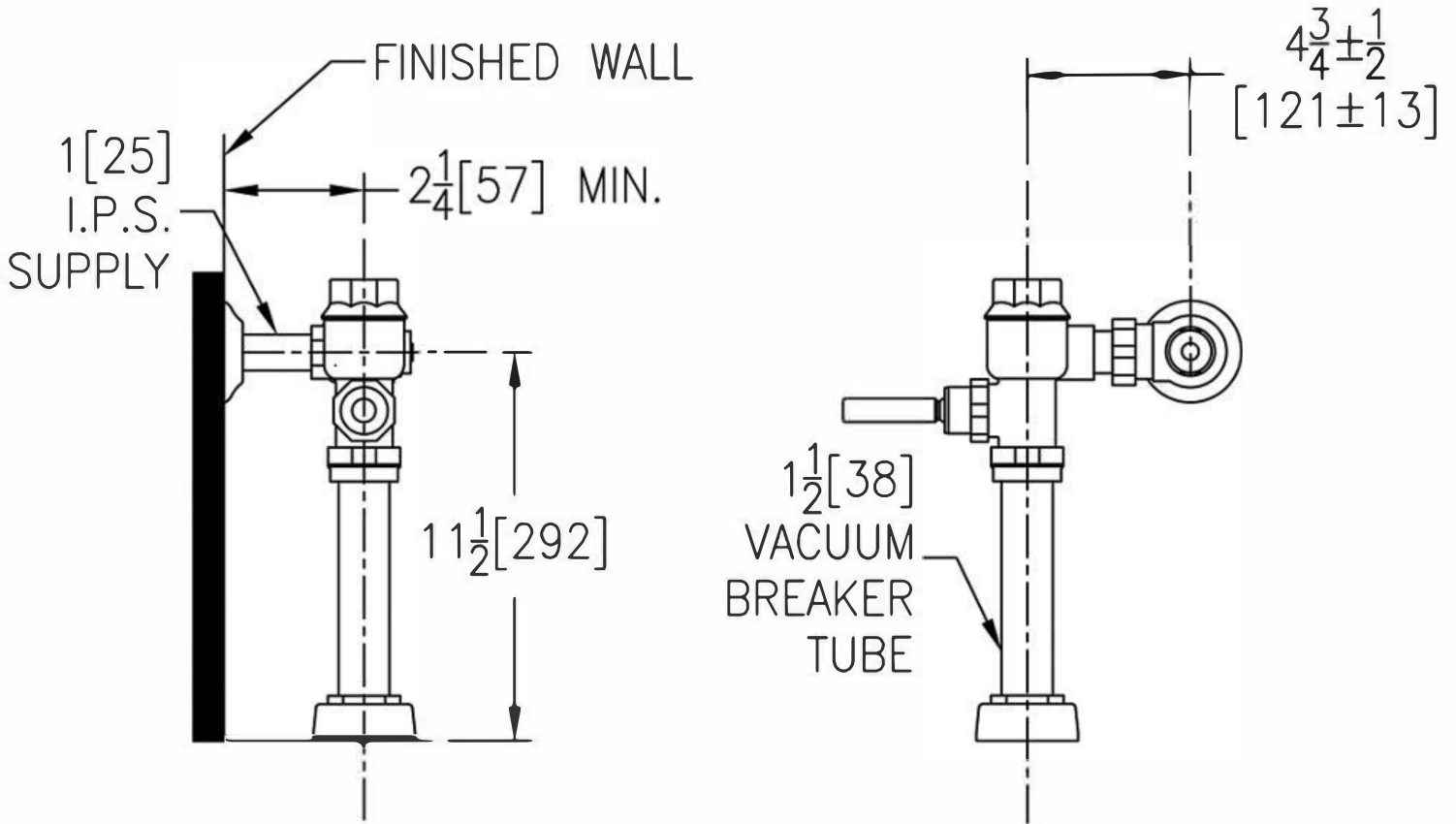
**Although products with certain combinations of options and features will meet or comply with these standards and/or certifications, not every combination of options and features will result in such compliance. If you have any questions about your particular product, please contact our Customer Care Dept. at 1-855-ONE-ZURN (United States) or 1-877-892-5216 (Canada) for confirmation.*

[Installation Guide - Z6200FV1116.pdf](#)

Architectural/Engineering Approval

Design and dimensional data (inches and [mm]) are subject to manufacturing tolerances and change without notice.

⚠ WARNING: Cancer and Reproductive Harm - www.P65warnings.ca.gov
 ⚠ ADVERTENCIA: Cáncer y daño reproductivo - www.P65warnings.ca.gov
 ⚠ AVERTISSEMENT: Cancer et effets néfastes sur la reproduction - www.P65warnings.ca.gov



NOTE: All dimensions are for reference only. Do not use for pre-plumbing.

Design and dimensional data (inches and [mm]) are subject to manufacturing tolerances and change without notice.

⚠ WARNING: Cancer and Reproductive Harm - www.P65warnings.ca.gov
 ⚠ ADVERTENCIA: Cáncer y daño reproductivo - www.P65warnings.ca.gov
 ⚠ AVERTISSEMENT: Cancer et effets néfastes sur la reproduction - www.P65warnings.ca.gov