



ARCHITECTURAL & ENGINEERING SPECIFICATION

Prefabricated stainless steel 2 person shower unit with integral mounting frame unit consists of two TEMP-GARD pressure balancing shower valves with single bronze stem, stainless steel balancing piston & bottom access integral service stops. Standard with 3/4" [19mm] copper tubing assembly enclosed by 18 gage stainless steel #4 brushed finish shroud, chrome plated brass shower head with flow control on institutional bracket, metal stem handle & all vandal proof securing screws. Unit is hydrostatically tested & ready for installation.

PRODUCT FEATURES

- Two pressure balancing shower valve with single bronze stem
- Two chrome-plated brass shower heads with flow control
- 18 Gage Stainless Steel shroud

COMPLIANCE AND CERTIFICATION:

- Shower head, valve and plumbing fittings- Complies with ASME A112.18.1 / CSA B125.1
- Valve - Complies with ASSE 1016-2005



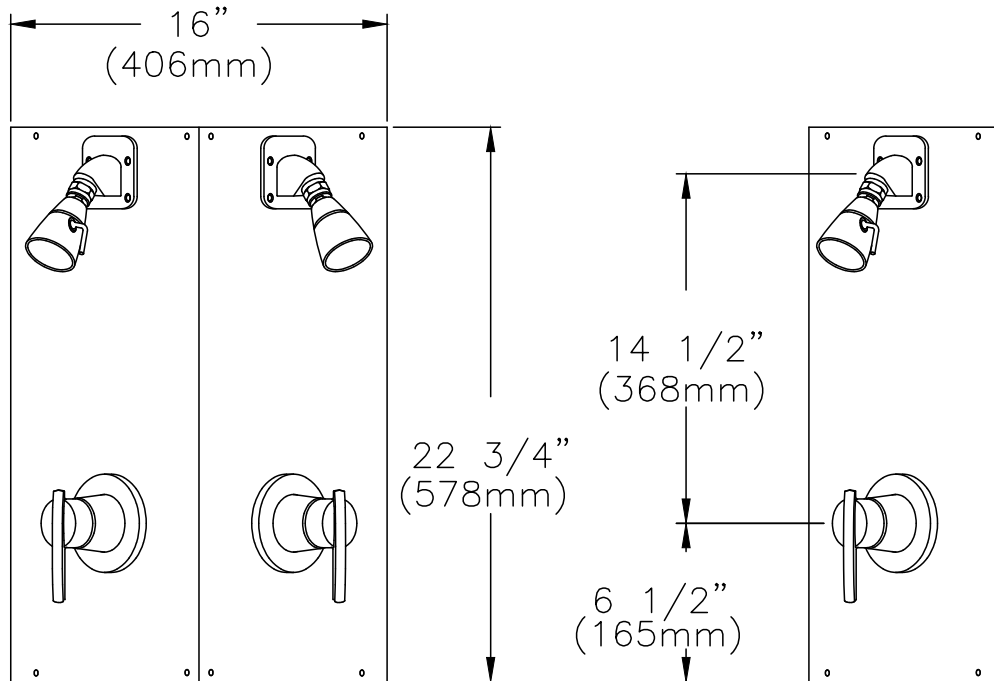
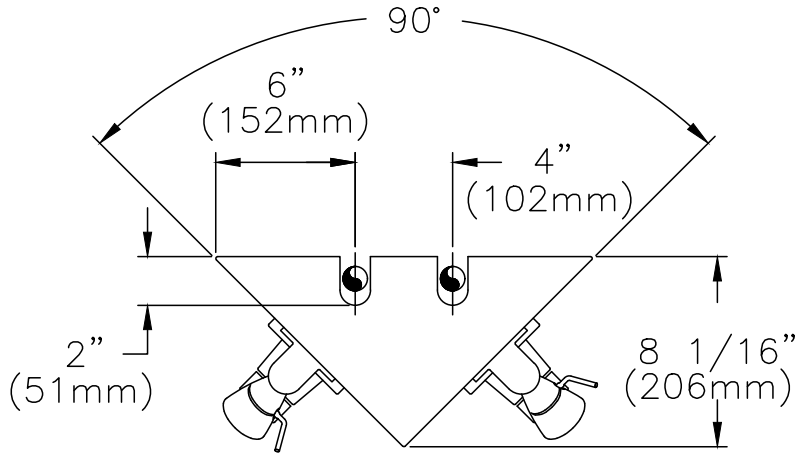
SUFFIX OPTIONS

- i2 Fixed Spray Institutional Shower Head (2.5 GPM)
- i9 Fixed Spray Institutional Shower Head (1.5 GPM)
- 1.25 1.25 GPM Shower Head Flow Control
- 1.5 1.5 GPM Shower Head Flow Control
- 1.75 1.75 GPM Shower Head Flow Control
- 2.0 2.0 GPM Shower Head Flow Control

ARCHITECTURAL & ENGINEERING APPROVAL

The information contained in this document is subject to change without notice. Please contact Zurn for most up to date information.

Rough-in/Overview dimensions



NOTE: All dimensions are for reference only. Do not use for pre-plumbing.