



TAG _____

ARCHITECTURAL & ENGINEERING SPECIFICATION

Prefabricated stainless steel tub & shower unit consisting of the TEMP-GARD pressure balancing shower valve with single bronze stem, stainless steel balancing piston & bottom access integral service stops. Unit includes: metal Slip-on tub spout with diverter. Standard with 1/2" [13mm] copper tubing assembly enclosed by 18 gage stainless steel #4 brushed finish shroud, chrome plated brass shower head with flow control on institutional bracket, metal stem handle & all vandal proof securing screws.

PRODUCT FEATURES

- Pressure balancing shower valve with single bronze stem
- Stainless steel shroud with through ceiling extension piping cover
- 18 Gage Stainless Steel shroud

COMPLIANCE AND CERTIFICATION:

- Shower head, valve and plumbing fittings- Complies with ASME A112.18.1 / CSA B125.1
- Valve - Complies with ASSE 1016-2005



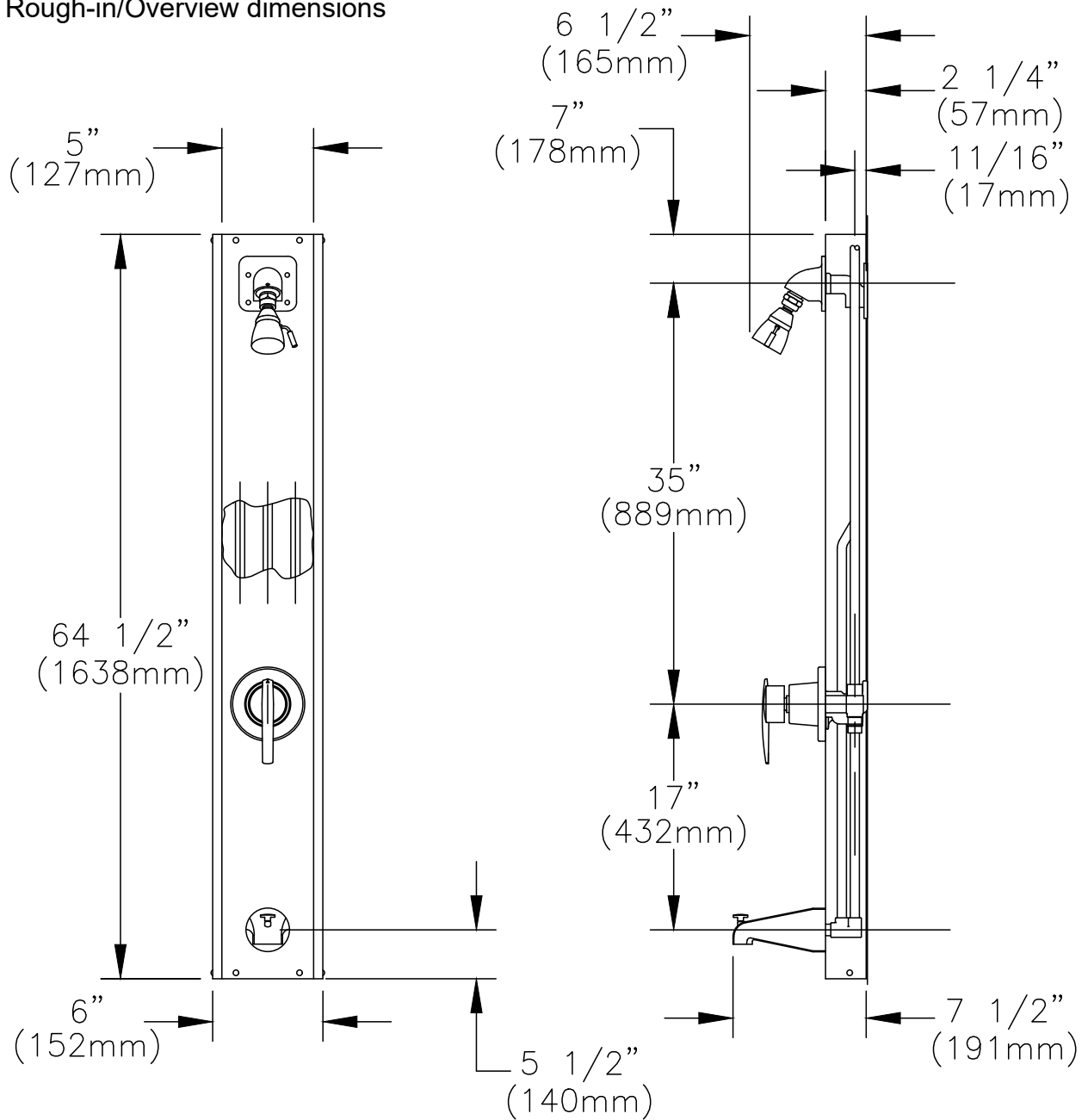
SUFFIX OPTIONS

- i2 Fixed Spray Institutional Shower Head (2.5 GPM)
- i9 Fixed Spray Institutional Shower Head (1.5 GPM)
- 1.25 1.25 GPM Shower Head Flow Control
- 1.5 1.5 GPM Shower Head Flow Control
- 1.75 1.75 GPM Shower Head Flow Control
- 2.0 2.0 GPM Shower Head Flow Control

ARCHITECTURAL & ENGINEERING APPROVAL

The information contained in this document is subject to change without notice. Please contact Zurn for most up to date information.

Rough-in/Overview dimensions



NOTE: All dimensions are for reference only. Do not use for pre-plumbing.