



Model(s)_Z5647-BWL

EcoVantage® HET Floor-mounted ADA Back Outlet Back Spud Toilet

TAG

Architectural/Engineering Specification:

Vitreous China, floor mounted back outlet toilet with siphon jet flushing action, ZurnSHIELD™ ceramic glaze, elongated rim, 1-1/2" back spud inlet connection and 4-1/8" back outlet rough-in height. This bowl is designed to perform to industry standards with as little as 1.28 gallons per flush, engineered to provide optimal performance.

PRODUCT FEATURES:

- Vitreous china
- ZurnSHIELD™ ceramic glaze creates a permanent surface that protects the fixture by unhibiting the growth of stain and odor causing mold mildew and bacteria, thus reducing the amount of time, chemicals and water to clean the bowl.
- 4-1/8" Back Outlet Rough-in
- Elongated rim
- 2-1/8" fully glazed trapway
- High efficiency siphon jet flush action
- Includes bolt caps
- Shipping Weight: 65 lbs.
- ADA Height



Product Compliance:

- ADA
- ASME A112.19.2/CSA B45.1
- CEC
- CSA B45.1
- IPC

Recommended Trim:

Z5955SS-EL	Elongated, standard white, open front toilet seat less cover with stainless steel check hinge
------------	---

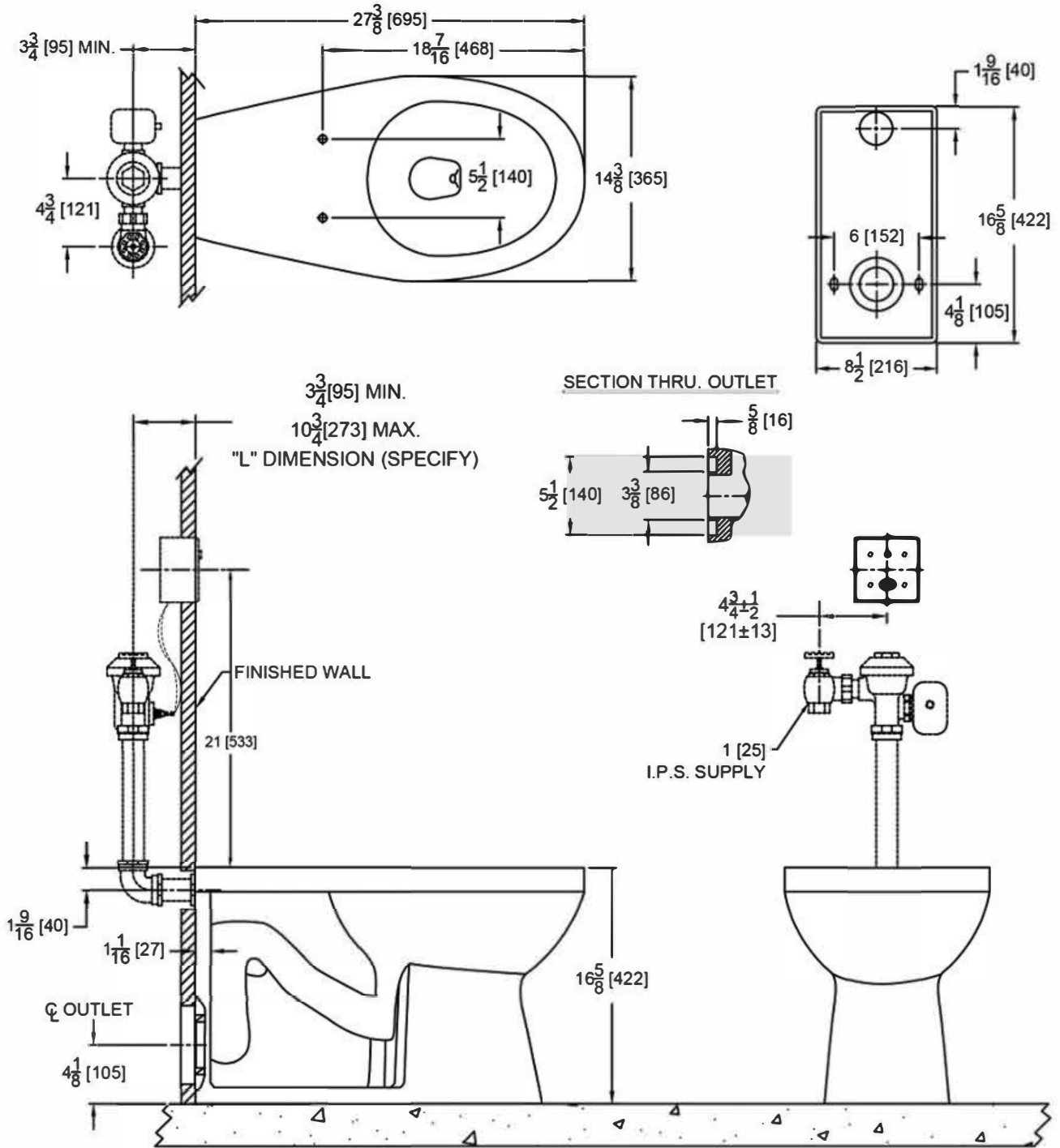
*Complies with ADA & ICC A117.1 accessibility requirements when installed according to the requirements outlined in these standards.

**Although products with certain combinations of options and features will meet or comply with these standards and/or certifications, not every combination of options and features will result in such compliance. If you have any questions about your particular product, please contact our Customer Care Dept. at 1-855-ONE-ZURN (United States) or 1-877-892-5216 (Canada) for confirmation.*

Architectural/Engineering Approval

Design and dimensional data (inches and [mm]) are subject to manufacturing tolerances and change without notice.

⚠ WARNING: Cancer and Reproductive Harm - www.P65warnings.ca.gov
 ⚠ ADVERTENCIA: Cáncer y daño reproductivo - www.P65warnings.ca.gov
 ⚠ AVERTISSEMENT: Cancer et effets néfastes sur la reproduction - www.P65warnings.ca.gov



NOTE: All dimensions are for reference only. Do not use for pre-plumbing.

Design and dimensional data (inches and [mm]) are subject to manufacturing tolerances and change without notice.

⚠ WARNING: Cancer and Reproductive Harm - www.P65warnings.ca.gov
 ⚠ ADVERTENCIA: Cáncer y daño reproductivo - www.P65warnings.ca.gov
 ⚠ AVERTISSEMENT: Cancer et effets néfastes sur la reproduction - www.P65warnings.ca.gov